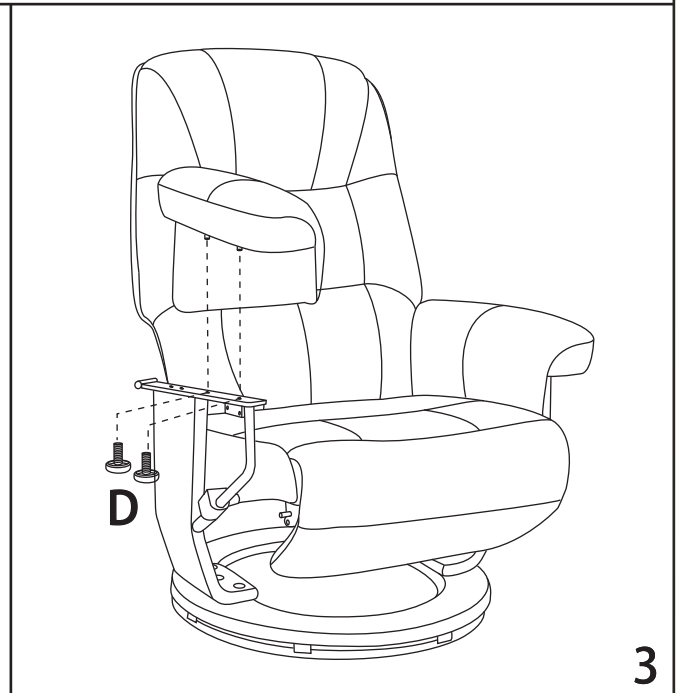
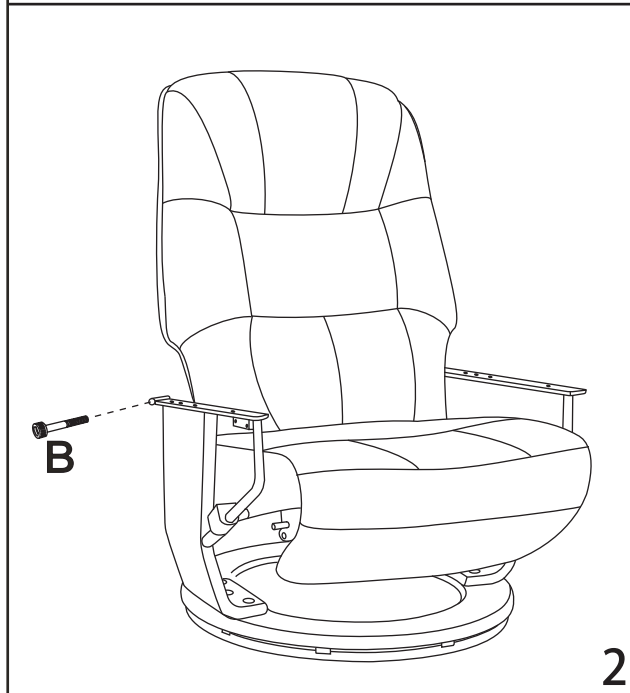
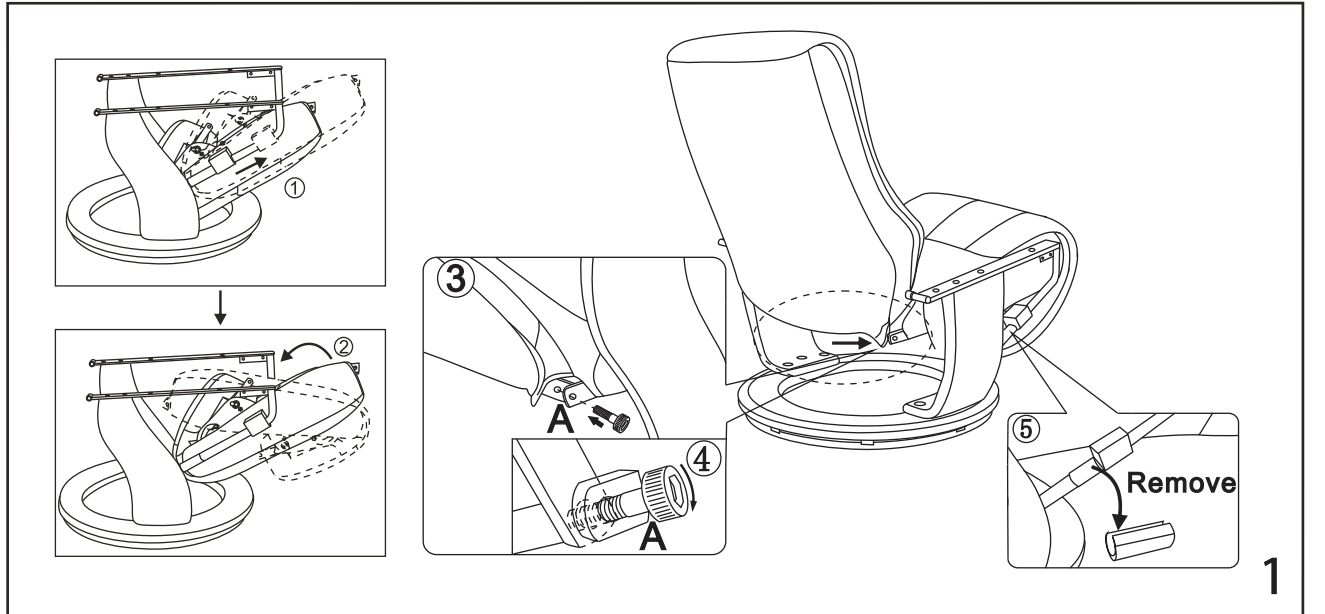
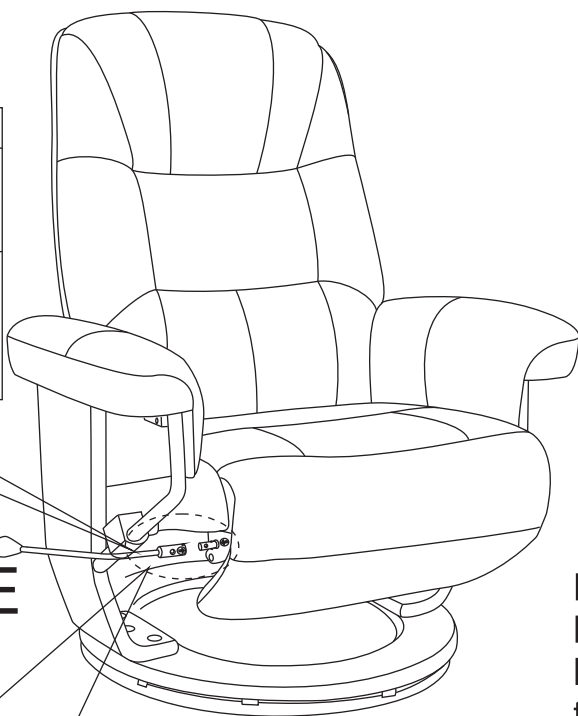
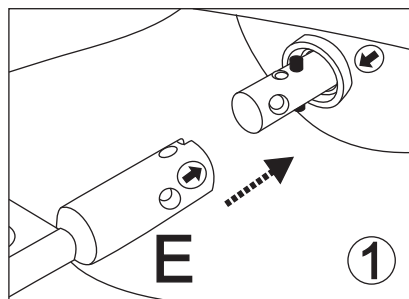
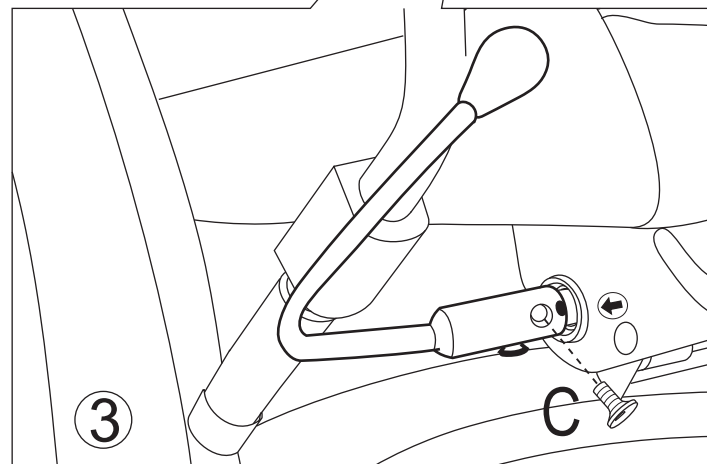
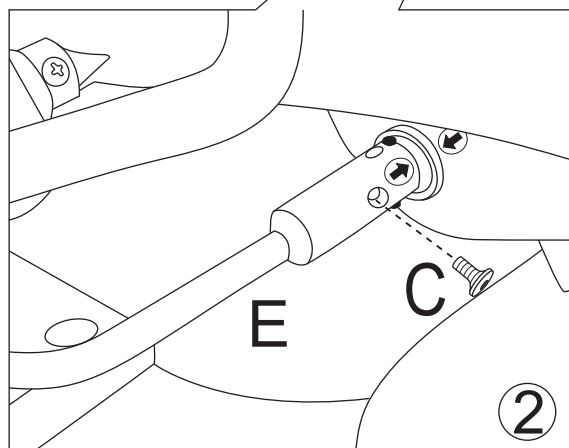
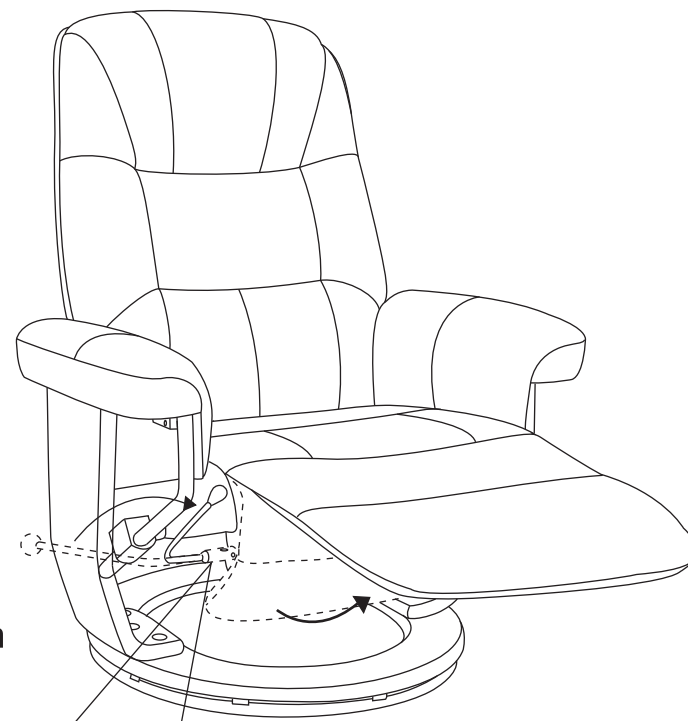


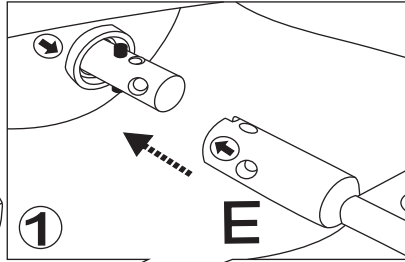
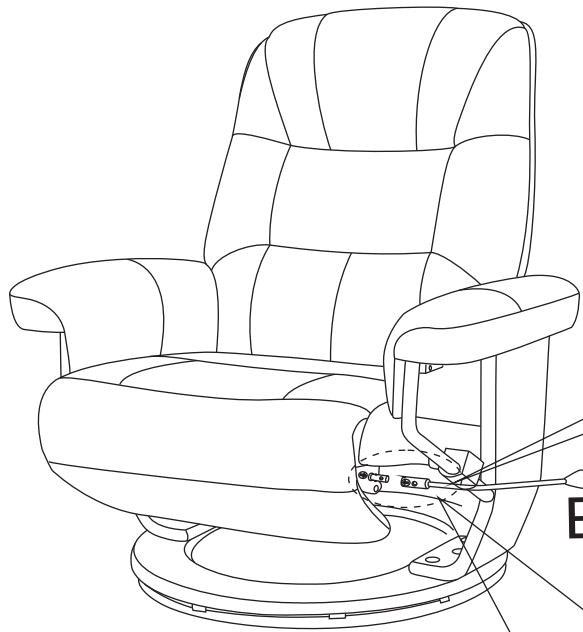
| | | | | | |
|----------|--|------|----------|--|------|
| A | | 2PCS | D | | 4PCS |
| B | | 2PCS | E | | 1PC |
| C | | 2PCS | F | | 1SET |



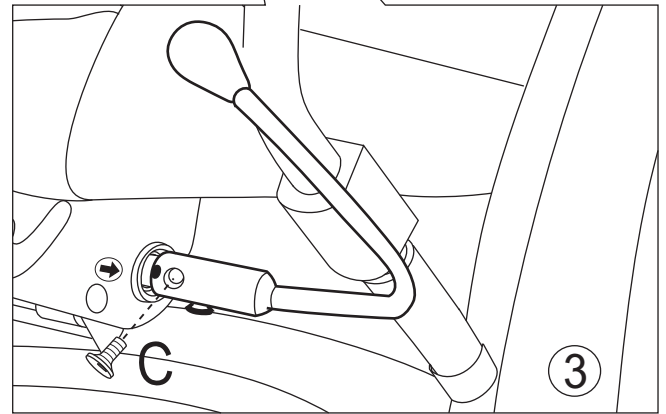
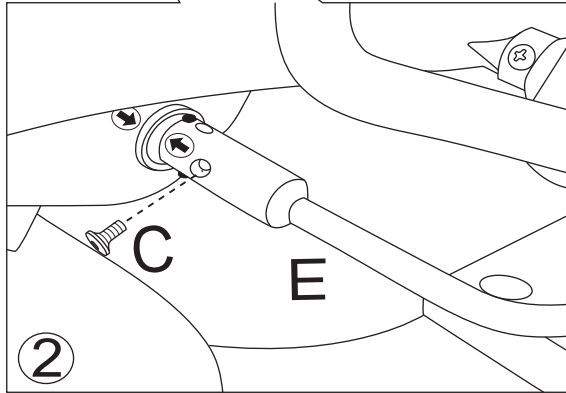
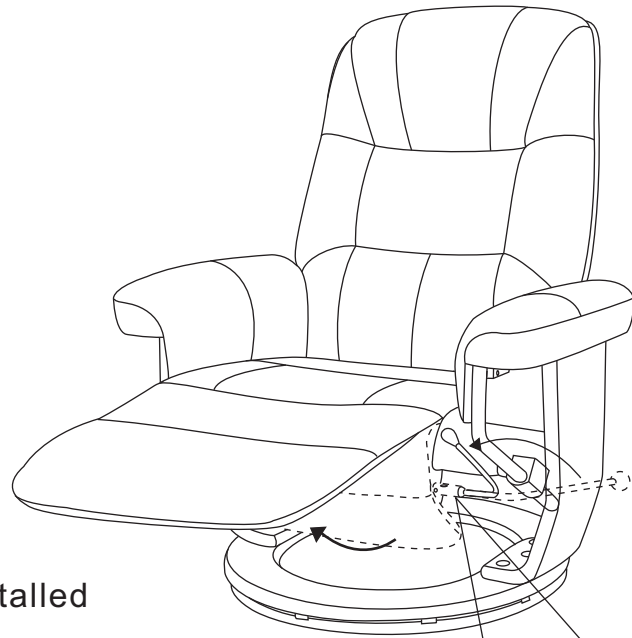


Be sure to push the handle to this position before you assemble the second bolt



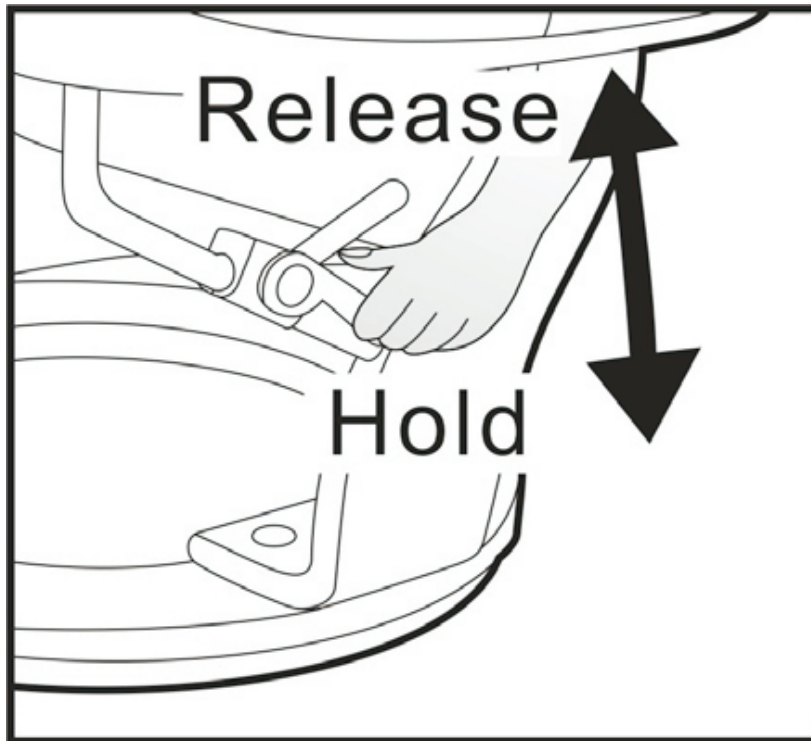


Handle may be installed
on both sides



Recliner Position Control

Hold and Release:



Caution:

Avoid placing hand between lever and frame.

